

Pre-Owned



Falcon 7X

S/N 080

2010



 **DASSAULT
AVIATION**



DASSAULT AVIATION

78, quai Marcel Dassault
Cedex 300
92552 Saint-Cloud Cedex
FRANCE

DASSAULT FALCON JET CORP.

200 Riser Road
Little Ferry, NJ 07643
USA

Falcon 7X

S/N 080

SPECIFICATIONS



Falcon 7X S/N 080 - 2010**ENGINE TYPE**

Pratt & Whitney Canada PW307A	on ESP "GOLD LITE" w/ PW DTU (FAST)
#1 Engine PCE-CH0325	
#2 Engine PCE-CH0324	
#3 Engine PCE-CH0329	

APU TYPE

Honeywell GTCP36-150 (FN)	S/N P 156	on MSP "GOLD"
---------------------------	-----------	---------------

MAINTENANCE

On CAMP. "2C" inspection due in June 2026, Under FalconCare (Parts & Labor)

EASY II OPTIONS

EASY II 5th Cert options: SBAS-LPV, ADS-B out, SVS, CPDLC ATN & FANS 1/A+

AVIONICS**Honeywell Primus Epic System (EASy II 5th Cert)**

FLIGHT DISPLAY SYSTEM (W/ FOUR 14 INCH LCD'S)		Honeywell EASy
COMMUNICATION (VHF DATA RADIO)	Triple	Honeywell TR 866B
COMMUNICATION (HF)	Dual	Honeywell KHF-1050
SELCAL VHF & HF		Honeywell
FLIGHT DECK AUDIO	Triple	Honeywell AV 900
EMERGENCY LOCATOR W/ NAV INTERFACE		Honeywell 406AF
FLIGHT DECK PRINTER		Miltope TP-4840 (for AFIS, Maintenance Jeppesen Charts)
SATCOM SYSTEM		Honeywell MCS-7120 AERO H+ / SBB
VOR/ILS/MARKER/GPS	Dual	Honeywell NV875X
ADF SYSTEM	Dual	Honeywell DF-855
FLIGHT MANAGEMENT SYSTEMS (FMS)	Triple	Honeywell EASy
ELECTRONIC JEPPESEN CHARTS		Honeywell EASy
COLOR WEATHER RADAR		Honeywell PRIMUS 880
DME SYSTEM	Dual	Honeywell DM-855
ATC, TRANSPONDER	Dual	Honeywell XS-857A
RADAR ALTIMETER	Dual	Honeywell KRA-405B

AVIONICS

TCAS II SYSTEM		ACSS TCAS 3000 (CHANGE 7.1)
HEAD-UP GUIDANCE SYSTEM		Rockwell Collins HGS-5860
ENHANCED FLIGHT VISION SYSTEM		Rockwell Collins EFVS-5860
MICRO INERTIAL REFERENCE UNIT	Triple	Honeywell Laseref V
VOICE AND FLIGHT DATA COMBINED RECORDER	Dual	Honeywell AR-COMBI W/ CTS QAR
EGPWS W/ WINDSHEAR		Honeywell EASy

ADDITIONAL EQUIPMENT**Honeywell:**

CMF, Uplink Weather Capability.

Rockwell Collins FCMS:

Airshow 4000, 2ea 3.8" Touch Screen LCD Controls (Galley & Crew Rest area),

2ea. (21.3" & 17") LCD monitors

1ea. dual DVD player,

3ea. 8.4" Plug'in monitors and 8ea. Plug'in receptacles,

1ea. Audio/NTSC Video Interface.

Galley:

Central Water System,

Provisions for coffee machine,

Microwave, Extra-Wide High temp Oven.

Misc:

Miltope Flight Deck Printer, Quick Access Recorder,

Additional Smoke Hood (Essex), Data Transfer Unit (FAST),

Goodrich Ice Detectors,

2ea. 230 VAC 50 Hz 2000 VA Inverters w/13 outlets, Telescoping tow bar,

Telescoping tow bar,

Direct and Indirect LED Lighting,

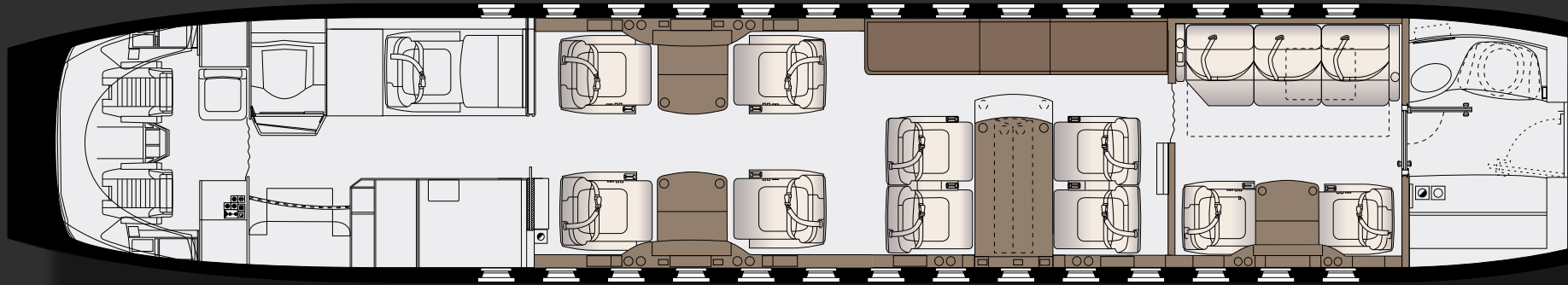
3ea. 6-man Life Rafts.

SB Applied:

Brake / Wheel Well Heat.

EXTERIOR

Overall White with accent stripes on fuselage and fin (Red & Grey waves).

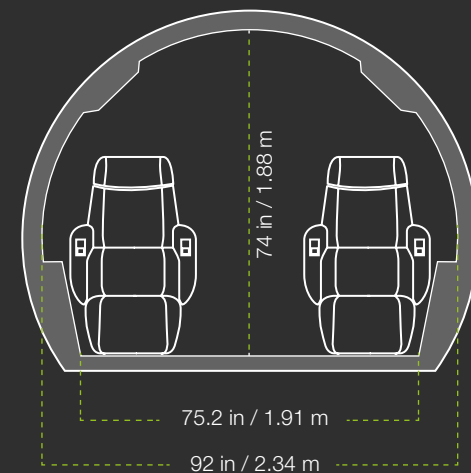


INTERIOR

Warm beige harmony w/ Beige leather seats, light Brown carpet w/ light squared dots, F/C Fig Cherry wood veneer and Satin Champagne Gold metal plating.

SEATING

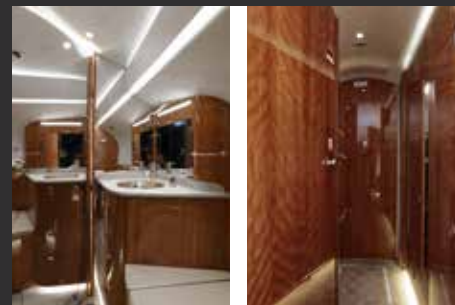
12 Pax (13 Seats) floor plan w/ Crew Rest
 FWD & AFT lavatories, Galley pocket door
 AFT Cabin w/ stowable curtain partition
 1 Divan (12" Berth Extension) and 2 Seats



Falcon 7X

S/N 080

PHOTO GALLERY





















DASSAULT AVIATION

Dominique **CRUCHON**

Director, Pre-Owned Aircraft Sales

78, quai Marcel Dassault

92552 Saint-Cloud Cedex 300

France

Work Phone: + 33 1 47 11 60 71

Fax: + 33 1 47 11 89 17

E-mail: dominique.cruchon@dassault-aviation.com

Yvon **DESIGNES**

Manager, Pre-Owned Aircraft Sales

78, quai Marcel Dassault

92552 Saint-Cloud Cedex 300

France

Work Phone: + 33 1 47 11 61 24

Fax: + 33 1 47 11 89 17

Email: yvon.desvignes@dassault-aviation.com

DASSAULT FALCON JET

Mark **VERDESCO**

Director, Pre-Owned Aircraft Sales

200 Riser Road

Little Ferry, NJ 07643

USA

Work Phone: + 1 201 541 4556

Fax: + 1 201 541 4620

E-mail: mark.verdesco@falconjet.com

Andrew **STARK**

Regional Sales Manager, Pre-Owned Aircraft Sales

200 Riser Road

Little Ferry, NJ 07643

USA

Work Phone: + 1 201 541 4552

Fax: + 1 201 541 4620

Email: andrew.stark@falconjet.com

