

Pre-Owned



Falcon 2000LXS

S/N 276

2014





DASSAULT AVIATION

78, quai Marcel Dassault
Cedex 300
92552 Saint-Cloud Cedex
FRANCE

DASSAULT FALCON JET CORP.

200 Riser Road
Little Ferry, NJ 07643
USA

Falcon 2000LXS

S/N 276

SPECIFICATIONS



Falcon 2000LXS S/N 276**ENGINE TYPE**

PW 308C	Covered by ESP "GOLD" w/ P&W DTU (FAST)
#1 Engine: PCE-CF0637	
#2 Engine: PCE-CF0638	

APU TYPE

GTCP36-150 (F2M)	S/N P665	Covered by MSP "GOLD"
------------------	----------	-----------------------

MAINTENANCE

Under CAMP. Next "C check" due in August 2026.

EASY II OPTIONS

EASY II (4th Cert), SBAS/LPV, ADS-B Out, SVS, RAAS, CPDLC ATN-B1, FANS 1/A+

AVIONICS

VHF COMMUNICATION SYSTEMS	Triple	Honeywell TR-866B
HF COM	Dual	Collins HF 9000 w/ SELCAL
FLIGHT DECK AUDIO	Triple	Honeywell AV-900
EMERGENCY LOCATOR TRANSMITTER		Elta ADT-406
SATCOM SYSTEM		Iridium Axxess II (2 channels) w/ DIU
VOR/ILS/MARKER NAVIGATION SYSTEM	Dual	Honeywell NV-875B
ADF SYSTEM	Dual	Honeywell DF 855
GPS	Dual	Honeywell
FLIGHT MANAGEMENT SYSTEM (FMS)	Dual	Honeywell
ELECTRONIC JEPPESEN CHARTS		Honeywell EASY II w/FALCONPERF
COLOR WEATHER RADAR SYSTEM		Honeywell Primus 880
DME SYSTEM	Dual	Honeywell DM-855
AIR TRAFFIC CONTROLLER	Dual	Honeywell XS-857A (Mode S)
RADAR ALTIMETER SYSTEM	Dual	Honeywell RT-300
TCAS II SYSTEM		ACSS TCAS-3000 (TCAS 7.1)
SYNTHETIC VISION SYSTEM (SVS)		Honeywell EASY II

AVIONICS

MICRO INERTIAL REFERENCE SYSTEM	Dual	Honeywell LASEREF V
COCKPIT VOICE RECORDER		Honeywell SSCVR (2 Hours)
FLIGHT DATA RECORDER		Honeywell SSFDR
EGPWS W/ WINDSHEAR		Honeywell EASY

ADDITIONAL EQUIPMENT**Honeywell EASy:**

Modular Avionics Unit (MAU),CMF

Uplink Weather Capability

Falcon Broadcast Capability

Entertainment:

Rockwell Collins FCHD+ entertainment system, Dual Blu-Ray player

1ea. HDMI port, USB ports for AVoD and AoD, 3D Interactive Moving Map

i-Pod/i-Pad remote controls, 2ea. 22" HD LCD monitor

6ea. plug-in monitors receptacles.

Galley:

Central Water System, De Longhi Nespresso maker

Microwave & X large High-temp Oven.

Emergency:

2ea. 8-man Life Rafts

main batteries charging with GPU

Goodrich Ice Detector System

115Cu Ft enlarged O² bottle, Additional Smoke Hood «Crew Type»

Telescopic Tow Bar.

Misc:

HD.Video Camera (Fin Tip), Flight Deck Video Interface, 115VAC 60HZ 2000VA Inverter w/8ea. outlets

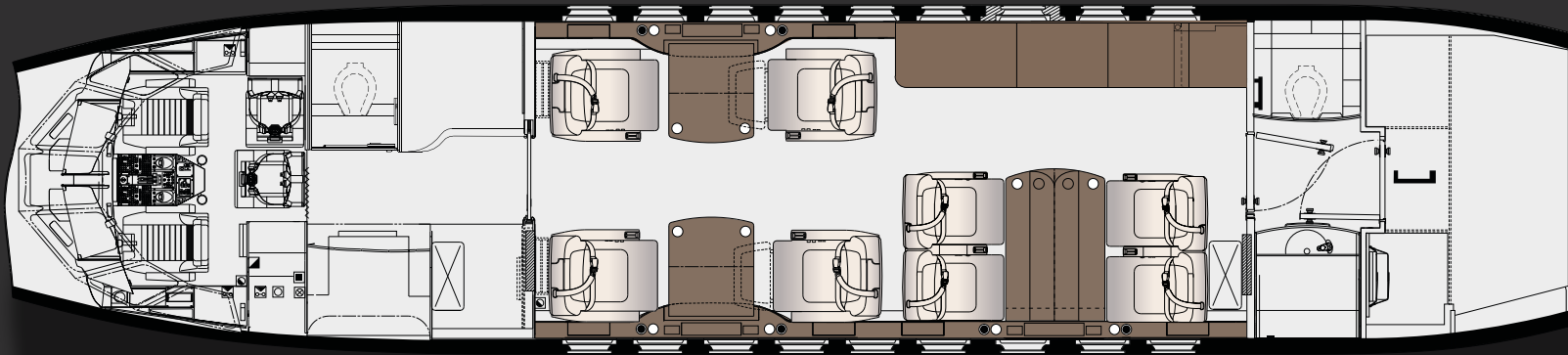
EMTEQ LED direct/indirect lighting, 2 vertical fin Teleflex recognition lights.

SB applied:

Brake/Wheel Well Heat, Push To Load (PTL).

EXTERIOR

White body with Red & Grey waved lines on body and fin.



INTERIOR

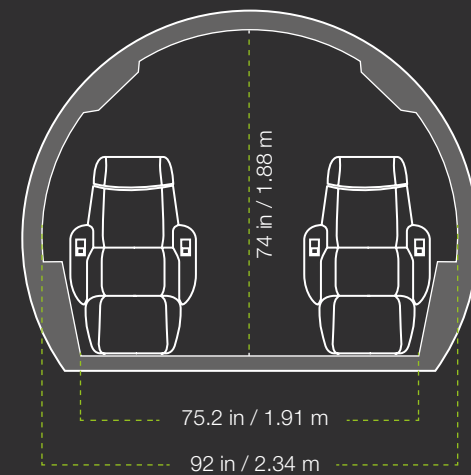
Contemporary contrasted harmony with light Greige Garrett leather seats, Faded wave w/Silk Light Carpet, F/C Wenge wood veneer and Silver Pearlite metal plating.

SEATING

8 Pax floor plan w/3rd. crew seat.

Galley pocket sliding door.

Fwd & Aft Lavatories

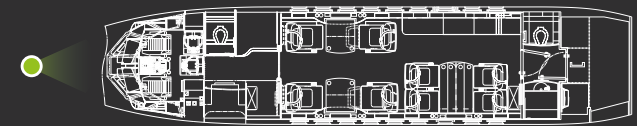


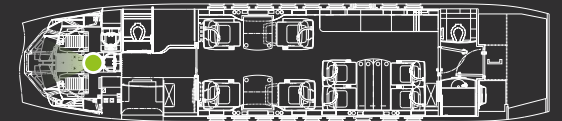
Falcon 2000LXS

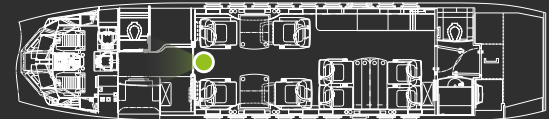
S/N 276

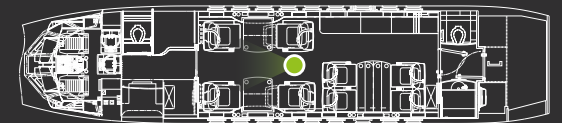
PHOTO GALLERY

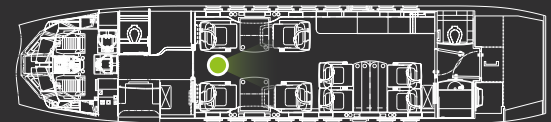


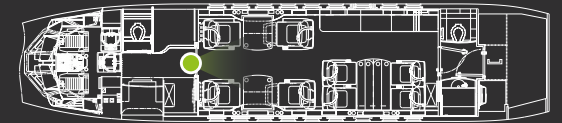


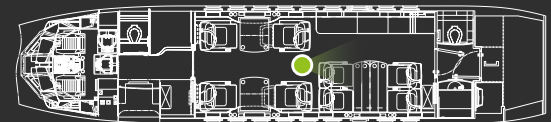


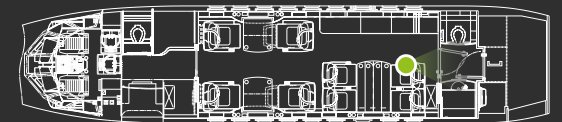
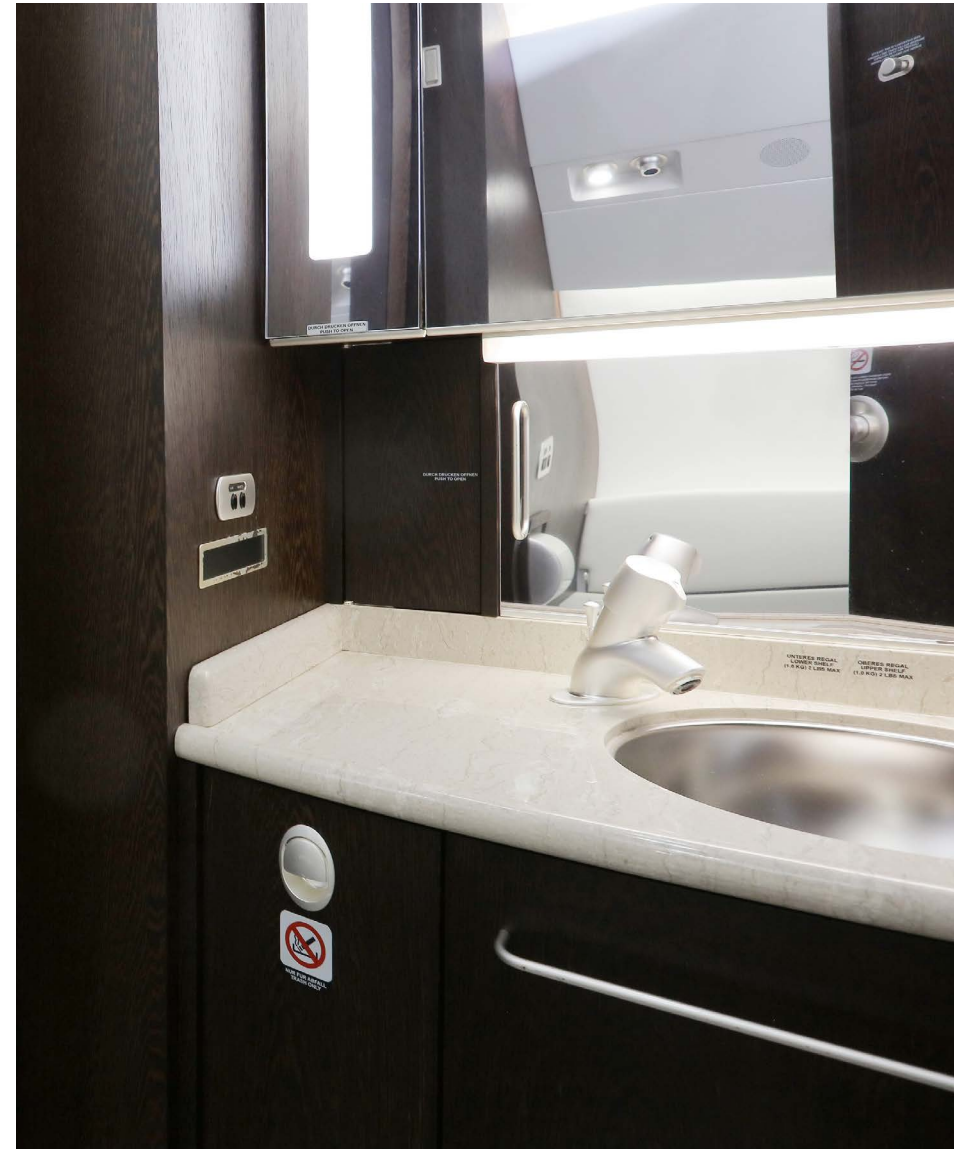












DASSAULT AVIATION**Dominique CRUCHON**

Director, Pre-Owned Aircraft Sales

78, quai Marcel Dassault

92552 Saint-Cloud Cedex 300

France

Work Phone: + 33 1 47 11 60 71

Fax: + 33 1 47 11 89 17

E-mail: dominique.cruchon@dassault-aviation.com

Yvon DESVIGNES

Manager, Pre-Owned Aircraft Sales

78, quai Marcel Dassault

92552 Saint-Cloud Cedex 300

France

Work Phone: + 33 1 47 11 61 24

Fax: + 33 1 47 11 89 17

Email: yvon.desvignes@dassault-aviation.com

DASSAULT FALCON JET**Mark VERDESCO**

Director, Pre-Owned Aircraft Sales

200 Riser Road

Little Ferry, NJ 07643

USA

Work Phone: + 1 201 541 4556

Fax: + 1 201 541 4620

E-mail: Mark.Verdesco@dassaultfalconjet.com

Andrew STARK

Regional Sales Manager, Pre-Owned Aircraft Sales

200 Riser Road

Little Ferry, NJ 07643

USA

Work Phone: + 1 201 541 4552

Fax: + 1 201 541 4620

Email: Andrew.Stark@dassaultfalconjet.com

