

Pre-Owned



Falcon 2000LX

S/N 220
2011



 **DASSAULT
AVIATION**



DASSAULT AVIATION

78, quai Marcel Dassault
Cedex 300
92552 Saint-Cloud Cedex
FRANCE

DASSAULT FALCON JET CORP.

200 Riser Road
Little Ferry, NJ 07643
USA

Falcon 2000LX

S/N 220

SPECIFICATIONS



Falcon 2000LX S/N 220 - 2011**ENGINE TYPE**

| | |
|---------|---------------|
| PW 308C | on ESP "GOLD" |
|---------|---------------|

| |
|-----------------------|
| #1 Engine: PCE-CF0471 |
|-----------------------|

| |
|-----------------------|
| #2 Engine: PCE-CF0470 |
|-----------------------|

APU TYPE

| | |
|----------------------------|----------|
| Honeywell GTCP36-150 (F2M) | S/N P585 |
|----------------------------|----------|

MAINTENANCE

| |
|--|
| Under CAMP. "2C check" performed in June 2023 by DAS Reno. |
|--|

| |
|---|
| Next 12M/800h inspection due July 2024. Under Honeywell Avionic MSP |
|---|

EASY II OPTIONS

| |
|---|
| EASY II 4 th Cert, SBAS-LPV, ADS-B Out |
|---|

AVIONICS

| | | |
|----------------------------------|--------|---|
| VHF COMMUNICATION SYSTEMS | Triple | Honeywell TR-866B |
| HF COM | Dual | Collins HF 9000 w/ SELCAL |
| FLIGHT DECK AUDIO | Triple | Honeywell AV-900 |
| EMERGENCY LOCATOR TRANSMITTER | | ELTA ADT-406 |
| SATCOM SYSTEM | | Honeywell MCS-7120 AERO H+/SBB (WIFI) |
| COMMUNICATION MANAGT FUNCTION | | Easy/Afis/Satafis & Miltope Flight Deck Printer |
| VOR/ILS/MARKER NAVIGATION SYSTEM | Dual | Honeywell NV-875A |
| ADF SYSTEM | Dual | Honeywell DF 855 |
| GPS | Dual | Honeywell |
| FLIGHT MANAGEMENT SYSTEM | Triple | Honeywell |
| ELECTRONIC JEPPESEN CHARTS | | Honeywell EASy |
| COLOR WEATHER RADAR SYSTEM | | Honeywell Primus 880 |
| DME SYSTEM | Dual | Honeywell DM-855 |
| AIR TRAFFIC CONTROLLER | Dual | Honeywell XS-857A (Mode S) |
| RADAR ALTIMETER SYSTEM | Dual | Honeywell RT-300 |
| TCAS II SYSTEM | | ACSS TCAS-3000 (Change 7.1) |
| HEAD-UP GUIDANCE SYSTEM | | Rockwell Collins HGS-4860 |

AVIONICS

| | | |
|---------------------------------|------|-------------------------------|
| ENHANCED FLIGHT VISION SYSTEM | | Rockwell Collins EFVS-4860 |
| MICRO INERTIAL REFERENCE SYSTEM | Dual | Honeywell Laseref V |
| COCKPIT VOICE RECORDER | | Honeywell SSCVR (120 minutes) |
| FLIGHT DATA RECORDER | | Honeywell SSFDR |
| EGPWS | | Honeywell EASy |

ADDITIONAL EQUIPMENT**Honeywell EASy:**

Modular Avionics Unit (MAU), Video Interface

Communications Management Function CMF)

Uplink Weather

Entertainment:

Rockwell Collins FCMS with Airshow 4000

Dual DVD player, Auxiliary Audio/NTSC Video Interface

1ea. 17" & 1ea. 21.3" Bulkhead LCD monitors

4ea. 10.4" Plug-In LCD monitors w/ 8ea. Receptacles

1ea. iPod docking cradle & 1ea. iPod interfaces

Galley:

Central Water System, Hot Cup

Iacobucci (28VDC) Espresso coffee maker

Espresso coffee maker, Microwave, High-temp Oven

Emergency:

2ea. 9-man Life Rafts, 115Cu Ft enlarged O² bottle

Third Eros Oxygen Mask, Emergency Vision Assurance System (EVAS)

Lights:

4ea. vertical fin Teleflex recognition lights

LED Quasar Indirect Full Spectrum Lighting

Misc:

Misc: 220VAC 60HZ 2000VA Inverter w/ 8 outlets, Lightning Sensor System

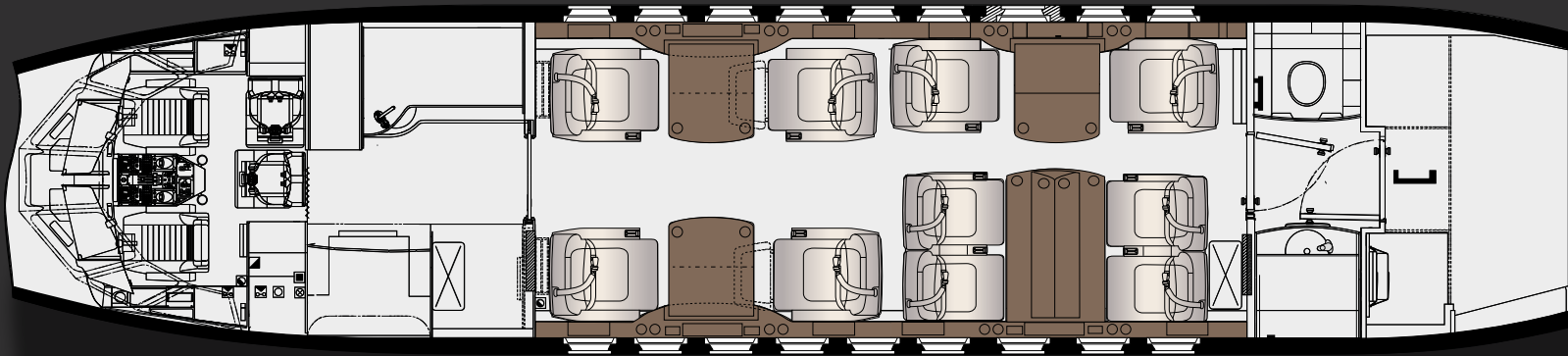
BF Goodrich Ice Detector, 1ea. Video Quad Camera (Belly mount)

SB:

Increased MTOW

EXTERIOR

White body with thin blue stripes and logo on tail



INTERIOR

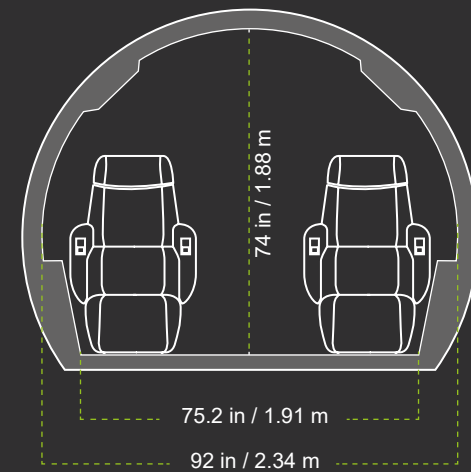
Beige leather seats, New Carpet (June 23), Hi-Gloss "Qtr Rift Walnut" wood veneer and Satin Nickel metal plating.

SEATING

10 Pax Floorplan w/3rd crew seat.

Galley pocket sliding door,

Aft Lavatory

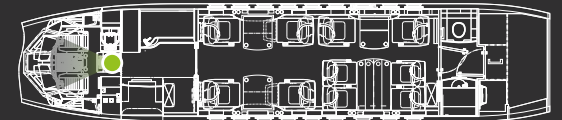


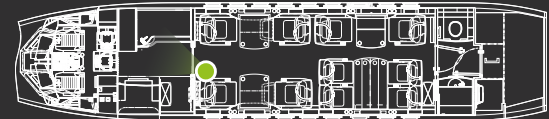
Falcon 2000LX

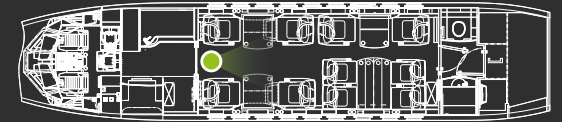
S/N 220
PHOTO GALLERY

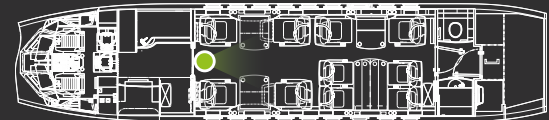


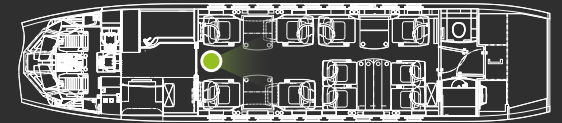


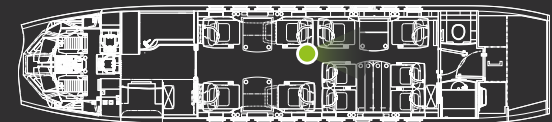


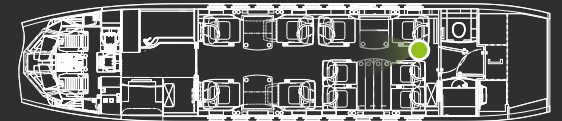


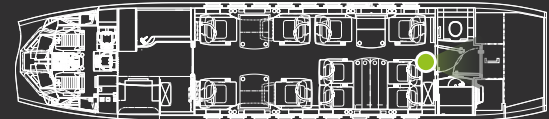












DASSAULT AVIATION

Dominique **CRUCHON**

Director, Pre-Owned Aircraft Sales

78, quai Marcel Dassault

92552 Saint-Cloud Cedex 300

France

Work Phone: + 33 1 47 11 60 71

Fax: + 33 1 47 11 89 17

E-mail: dominique.cruchon@dassault-aviation.com

Yvon **DESIGNES**

Manager, Pre-Owned Aircraft Sales

78, quai Marcel Dassault

92552 Saint-Cloud Cedex 300

France

Work Phone: + 33 1 47 11 61 24

Fax: + 33 1 47 11 89 17

Email: yvon.designes@dassault-aviation.com

DASSAULT FALCON JET

Mark **VERDESCO**

Director, Pre-Owned Aircraft Sales

200 Riser Road

Little Ferry, NJ 07643

USA

Work Phone: + 1 201 541 4556

Fax: + 1 201 541 4620

E-mail: Mark.Verdesco@dassaultfalconjet.com

Andrew **STARK**

Regional Sales Manager, Pre-Owned Aircraft Sales

200 Riser Road

Little Ferry, NJ 07643

USA

Work Phone: + 1 201 541 4552

Fax: + 1 201 541 4620

Email: Andrew.Stark@dassaultfalconjet.com

