

Pre-Owned



Falcon 7X

S/N 213
2013



 **DASSAULT
AVIATION**



DASSAULT AVIATION

78, quai Marcel Dassault
Cedex 300
92552 Saint-Cloud Cedex
FRANCE

DASSAULT FALCON JET CORP.

200 Riser Road
Little Ferry, NJ 07643
USA

Falcon 7X

S/N 213

SPECIFICATIONS



Falcon 7X S/N 213 - 2013**ENGINE TYPE**

PW-307A	on ESP GOLD with P&W DTCU (FAST 4G)
---------	-------------------------------------

#1 Engine: PCE-CH0660

#2 Engine: PCE-CH0661

#3 Engine: PCE-CH0655

APU TYPE

Honeywell GTCP36-150FN	S/N P 327	On MSP "GOLD"
------------------------	-----------	---------------

MAINTENANCE

On CAMP. Next "2C" Check inspection in December 2029. Under FalconCare Program Elite (P&L)
--

EASY II OPTIONS

EASY II 5th cert, SBAS / LPV, ADS-B out, SVS, ADM, Dual Jeppesen, CPDLC ATN-B1, FANS-1A+
--

AVIONICS**HONEYWELL PRIMUS EPIC SYSTEM (EASY II 5h Cert)**

FLIGHT DISPLAY SYSTEM (W/ FOUR 14 INCH LCD'S)		Honeywell EASY
COMMUNICATION (VHF DATA RADIO)	Triple	Honeywell TR 866B
COMMUNICATION (HF)	Dual	Honeywell KHF-1050
SELCAL VHF & HF		Honeywell
FLIGHT DECK AUDIO	Triple	Honeywell AV 900
EMERGENCY LOCATOR W/ NAV INTERFACE		Honeywell RESCU 406 AFN2
TELECOMMUNICATION SYSTEM		Satcom Direct DLU/SDR-G
SATCOM SYSTEM		Honeywell JETWAVE KA-BAND (Wifi)
VOR/ILS/MARKER/GPS	Dual	Honeywell NV877A
ADF SYSTEM	Dual	Honeywell DF-855
FLIGHT MANAGEMENT SYSTEMS (FMS)	Triple	Honeywell EASY
ELECTRONIC JEPPESEN CHARTS	Dual	Honeywell EASY
COLOR WEATHER RADAR		Honeywell PRIMUS 880
DME SYSTEM	Dual	Honeywell DM-855
ATC, TRANSPONDER	Dual	Honeywell XS-857-A W/MODE S
RADAR ALTIMETER	Dual	Honeywell KRA-405B
TCAS II SYSTEM		ACSS TCAS 3000 (CHANGE 7.1)
MICRO INERTIAL REFERENCE UNIT	Triple	Honeywell LASEREF V
VOICE AND FLIGHT DATA COMBINED RECORDER	Dual	Honeywell AR-COMBI
EGPWS W/ WINDSHEAR		Honeywell EASY

ADDITIONAL EQUIPMENT**Honeywell EASY:**

Modular Avionics Unit (MAU),
Cabin Management Function (CMF),
Uplink Weather Capability.

Rockwell Collins FC HD:

3D Interactive MAP,
1ea. 10.6" Touch Screen Control monitor,
1ea. Dual Blue Ray player,
1ea. Bulkhead 22" & 1ea. Bulkhead 24" HD monitors,
2ea. 10.6" Plug'in monitor and 8ea. Plug'in receptacles,
iPod & iPad Remote Controls,
Single iPod Docking Cradle,
HDMI, AoD and AVoD USB Ports.

Galley:

Central Water System,
Latissima Nespresso coffee machine,
Microwave, High temp oven.

Misc:

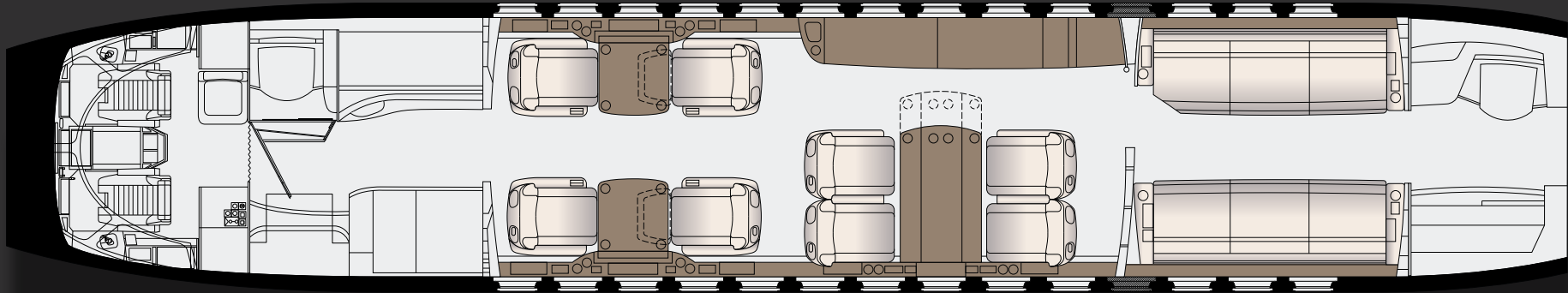
Miltope Flight Deck Printer, RAAS,
QAR w/ Flight Data Monitoring (CTS),
Additional Smoke Hood "Crew Type",
BF Goodrich Ice Detector, HEPA Filter,
EVAS, Hard Landing Detector,
Lightning Sensor Honeywell LSS-860,
Teleflex Recognition (2) Lights,
230 VAC/50Hz, 2000VA w/ 12 outlets,
Telescoping tow bar,
Direct and Indirect LED Lighting,
2 ea. 12-man Life Rafts.

Significant SB Applied:

Brake / Wheel Well Heat,
Push-to-Load, Fast Charts Dataloading.
Taxi Single System, x3 Generator-007

EXTERIOR

Overall Matterhorn white with Turquoise, Beige and Gold stripes on fuselage and fin.

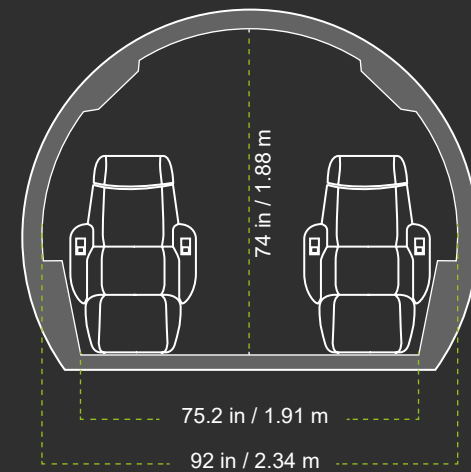


INTERIOR

Last Refurbishment in 2022. Beige seats w/central greige insert.
 Light brown carpet w/geometric diamond patterns, Natural, Hi-Gloss Qtr.
 Walnut Wood Veneer and brushed Nickel Satin metal plating.

SEATING

14 Pax floor plan w/ 3rd Crew Seat,
 Fwd and Aft Lavatories,
 Galley pocket door, 2 Electrical Divans,
 Aft Cabin divider w/Stowable curtain



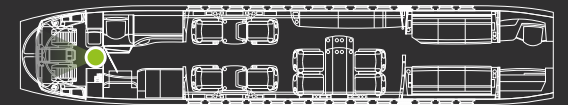
Falcon 7X

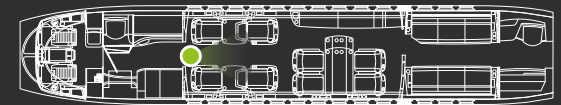
S/N 213

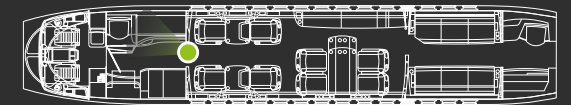
PHOTO GALLERY

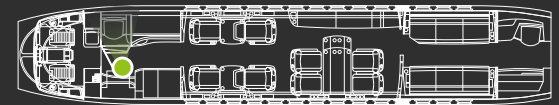


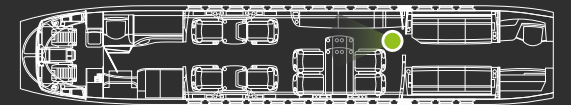


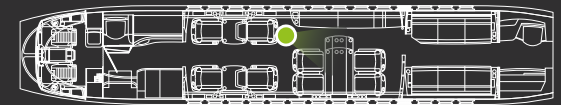


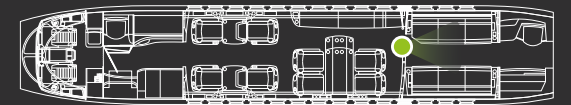


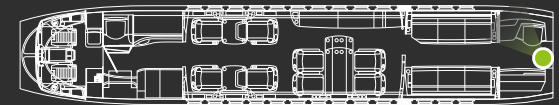












DASSAULT AVIATION**Yvon DESVIGNES**

Director, Pre-Owned Aircraft Sales

78, quai Marcel Dassault

92552 Saint-Cloud Cedex 300

France

Work Phone: + 33 1 47 11 61 24

Mobile: + 33 6 08 16 19 73

E-mail: yvon.desvignes@dassault-aviation.com

Nicolas MARTIN

Manager, Pre-Owned Aircraft Sales

78, quai Marcel Dassault

92552 Saint-Cloud Cedex 300

France

Work Phone: + 33 1 47 11 51 02

Mobile: + 33 6 26 79 50 50

Email: Nicolas.Martin@dassault-aviation.com

DASSAULT FALCON JET**Mark VERDESCO**

Director, Pre-Owned Aircraft Sales

200 Riser Road

Little Ferry, NJ 07643

USA

Work Phone: + 1 201 541 4556

Fax: + 1 201 541 4620

E-mail: Mark.Verdesco@dassaultfalconjet.com



