

Pre-Owned



# Falcon 7X

S/N 288  
2020



 **DASSAULT  
AVIATION**



**DASSAULT AVIATION**

78, quai Marcel Dassault  
Cedex 300  
92552 Saint-Cloud Cedex  
FRANCE

**DASSAULT FALCON JET CORP.**

200 Riser Road  
Little Ferry, NJ 07643  
USA

# Falcon 7X

S/N 288

SPECIFICATIONS



**Falcon 7X** S/N 288 - 2020**ENGINE TYPE**

PW-307A	On ESP "PLATINUM" with P&W DTCU (FAST)
#1 Engine: PCE-CH0895	
#2 Engine: PCE-CH0893	
#3 Engine: PCE-CH0894	

**APU TYPE**

Honeywell GTCP36-150FN	S/N P 480	On MSP "GOLD"
------------------------	-----------	---------------

**MAINTENANCE**

On CAMP. Next "1C" Inspection due in February 2028. Under Falconcare (ELITE)
--

**EASy OPTIONS**

EASy II 5th cert, SBAS/LPV, ADS-B out, SVS, CPDLC ATN-B1, FANS-1A+
--

**AVIONICS**

<b>Honeywell Primus Epic System (EASy II, 5th Cert)</b>		
FLIGHT DISPLAY SYSTEM (W/ FOUR 14 INCH LCD'S)		Honeywell EASY
COMMUNICATION (VHF DATA RADIO)	Triple	Honeywell TR 866B
COMMUNICATION (HF)	Dual	Honeywell KHF-1050
SELCAL VHF & HF		Honeywell
FLIGHT DECK AUDIO	Triple	Honeywell AV 900
EMERGENCY LOCATOR W/ NAV INTERFACE		Honeywell Rescu 406AF
SATCOM SYSTEM		Honeywell Jetwave KA-BAND MCS 8000 (Wifi)
TELECOMUNICATION SYSTEM		Iridium Axxess Gogo Business w/ DIU
VOR/ILS/MARKER/GPS	Dual	Honeywell NV878A
ADF SYSTEM	Dual	Honeywell DF-855
FLIGHT MANAGEMENT SYSTEMS (FMS)	Triple	Honeywell EASY
ELECTRONIC JEPPESEN CHARTS		Honeywell EASY + FALCONPERF
COLOR WEATHER RADAR		Honeywell PRIMUS 880
DME SYSTEM	Dual	Honeywell DM-855
ATC, TRANSPONDER	Dual	Honeywell XS-858-B W/ MODE S
RADAR ALTIMETER	Dual	Honeywell KRA-405B
TCAS II SYSTEM		ACSS TCAS 3000 (CHANGE 7.1)
HEAD-UP GUIDANCE SYSTEM		Rockwell COLLINS HGS-5860
ENHANCED FLIGHT VISION SYSTEM		Rockwell COLLINS EFVS-5860
MICRO INERTIAL REFERENCE UNIT	Triple	Honeywell LASEREF V
VOICE AND FLIGHT DATA COMBINED RECORDER	Dual	Honeywell AR-COMBI w/ QAR

**AVIONICS**

ELECTRONIC FLIGHT BAG (EFB)	Dual	CMC-CMA-1310 Pilot View
-----------------------------	------	-------------------------

**ADDITIONAL EQUIPMENT****Honeywell EASy:**

Modular Avionics Unit (MAU), Flightdeck Video Interface  
 CMF w/ Falconconnect, Falcon Broadcast capability

**Rockwell Collins FC HD+:**

3D Interactive MAP  
 1ea. 10.6" Touch Screen Control monitor  
 iPad Remote Control, 2 TBytes Media Server Unit  
 2ea. Bulkhead HD monitors (22" & 24")  
 2ea. iPad w/Plug-In iPad Arm, 8ea. iPad arm receptacles  
 HDMI & USB Media Server Ports

**Galley:**

Central Water System  
 Hot jug, Espresso machine,  
 Micro wave, High temp oven

**Misc:**

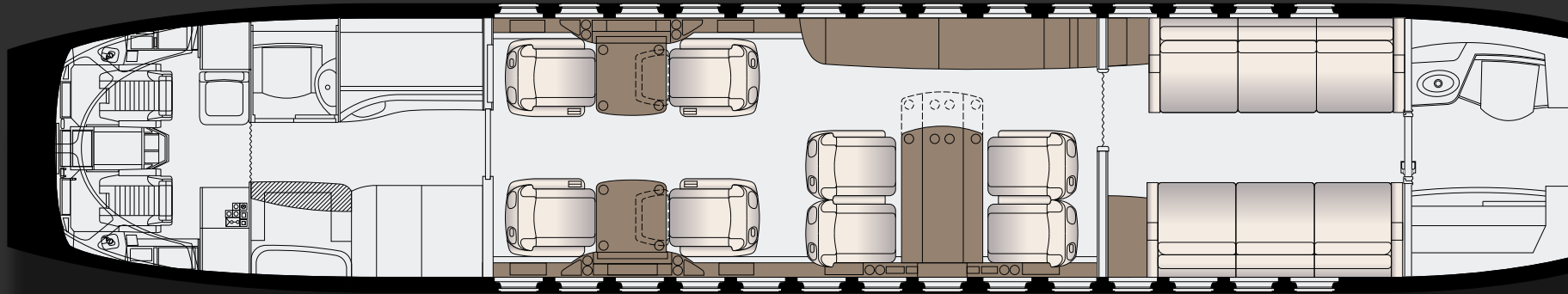
Second MED Handrail, Miltope Flight Deck printer  
 1ea. Otonomy Video Cameras (vertical fin mount)  
 Lightning Sensor Honeywell LSS-860  
 Aft Lavatory Vacuum Toilet  
 QAR & Additional Smoke Hood  
 BF Goodrich Ice Detector  
 Goodrich Smartprobes, Teleflex Reco Light  
 115 VAC/60Hz, 2000VA w/ 12 outlets  
 Telescoping tow bar, 2 ea. 12-man Life Rafts

**SB Applied:**

Brake / Wheel Well Heat

**EXTERIOR**

Overall Snow White Fuselage w/ Metallic Grey Belly and top of fin.

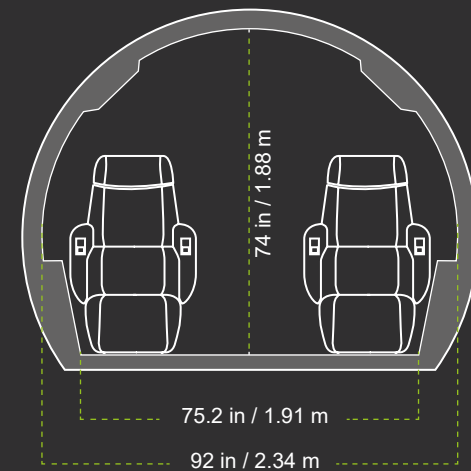


### INTERIOR

Harmony with light brown leather seat, variegated beige fabric divan and Kalogridis Corduroy Carpet, Natural High Gloss F/C Fig Walnut Wood Veneer. Silk Platinum metal plating.

### SEATING

14 Pax floor plan w/ 3rd Crew Seat,  
Fwd and Aft Lavatories,  
Galley pocket door, 2 Electrical Divans,  
Aft Cabin divider w/ Stowable curtain

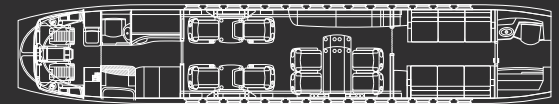


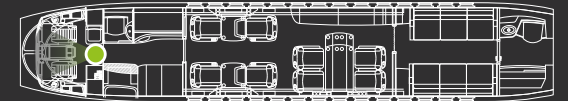
# Falcon 7X

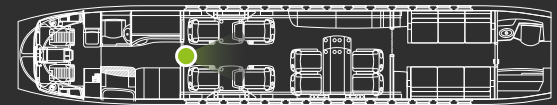
S/N 288

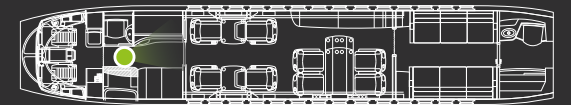
PHOTO GALLERY

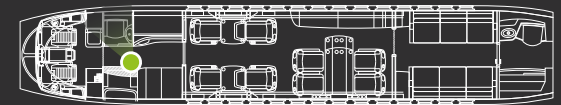


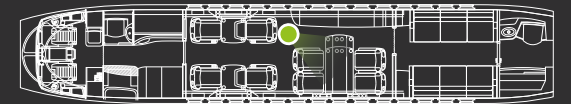




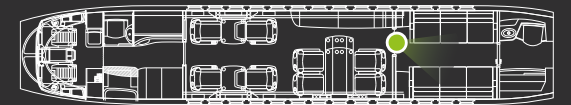


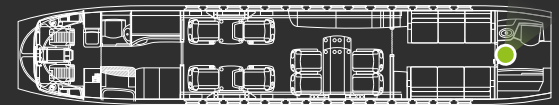














**DASSAULT AVIATION****Yvon DESVIGNES**

Director, Pre-Owned Aircraft Sales

78, quai Marcel Dassault

92552 Saint-Cloud Cedex 300

France

Work Phone: + 33 1 47 11 61 24

Mobile: + 33 6 08 16 19 73

E-mail: [yvon.desvignes@dassault-aviation.com](mailto:yvon.desvignes@dassault-aviation.com)

**Nicolas MARTIN**

Manager, Pre-Owned Aircraft Sales

78, quai Marcel Dassault

92552 Saint-Cloud Cedex 300

France

Work Phone: + 33 1 47 11 51 02

Mobile: + 33 6 26 79 50 50

Email: [Nicolas.Martin@dassault-aviation.com](mailto:Nicolas.Martin@dassault-aviation.com)

**DASSAULT FALCON JET****Mark VERDESCO**

Director, Pre-Owned Aircraft Sales

200 Riser Road

Little Ferry, NJ 07643

USA

Work Phone: + 1 201 541 4556

Fax: + 1 201 541 4620

E-mail: [Mark.Verdesco@dassaultfalconjet.com](mailto:Mark.Verdesco@dassaultfalconjet.com)

