

Pre-Owned



Falcon 7X

S/N 296
2022





DASSAULT AVIATION

78, quai Marcel Dassault
Cedex 300
92552 Saint-Cloud Cedex
FRANCE

DASSAULT FALCON JET CORP.

200 Riser Road
Little Ferry, NJ 07643
USA

Falcon 7X

S/N 296

SPECIFICATIONS



Falcon 7X S/N 296 - 2022**ENGINE TYPE**

Pratt & Whitney Canada PW307A on ESP "GOLD" with P&W DTCU (FAST)

#1 Engine: PCE-CH0918

#2 Engine: PCE-CH0917

#3 Engine: PCE-CH0919

APU TYPE

GTCP36-150 (FN) S/N P-513 On MSP "GOLD"

MAINTENANCE

Fresh 48M completed in June 2026 @ DFJ Melbourne, FL - "1C" inspection due in April 2030.

EASy OPTIONS

EASy II 5th Cert., SBAS/LPV, ADS-B out, SVS, CPDLC ATN-B1, FANS-1A+

AVIONICS

HONEYWELL PRIMUS EPIC SYSTEM (EASY II 5th Cert)

FLIGHT DISPLAY SYSTEM (W/ FOUR 14 INCH LCD'S) Honeywell EASY

COMMUNICATION (VHF DATA RADIO) Triple Honeywell TR 866B

COMMUNICATION (HF) Dual Honeywell KHF-1050

SELCAL VHF & HF Honeywell

FLIGHT DECK AUDIO Triple Honeywell AV 900

EMERGENCY LOCATOR W/ NAV INTERFACE Honeywell RESCU 406AF

SATCOM SYSTEM Honeywell JETWAVE KA-BAND (Wifi) +Iridium

VOR/ILS/MARKER/GPS Dual Honeywell NV878A

ADF SYSTEM Dual Honeywell DF-855

FLIGHT MANAGEMENT SYSTEMS (FMS) Triple Honeywell EASY

ELECTRONIC JEPPESEN CHARTS Honeywell EASY

COLOR WEATHER RADAR Honeywell PRIMUS 880

DME SYSTEM Dual Honeywell DM-855

ATC, TRANSPONDER Dual Honeywell XS-858-B W/ MODE S

RADAR ALTIMETER Dual Honeywell KRA-405B

TCAS II SYSTEM ACSS TCAS 3000 (CHANGE 7.1)

HEAD-UP GUIDANCE SYSTEM Rockwell COLLINS HGS-5860

ENHANCED FLIGHT VISION SYSTEM Rockwell COLLINS EFVS-5860

MICRO INERTIAL REFERENCE UNIT Triple Honeywell LASEREF V

VOICE AND FLIGHT DATA COMBINED RECORDER Dual Honeywell AR-COMBI w/ QAR

EGPWS W/ WINDSHEAR Honeywell EASY

ELECTRONIC FLIGHT BAG (EFB) Dual CMC-CMA-1310 Pilot View w/ Falcon Perf Software

ADDITIONAL EQUIPMENT**Honeywell EASy:**

MAU, Flight deck Video Interface

CMF w/Falconconnect, Falcon Broadcast capabilities

Rockwell Collins FC HD+:

3D Interactive MAP

1ea. 10.6" Touch Screen Control monitor

iPad Remote Controls

2 TBytes Media Server Unit

2ea. Bulkhead HD monitors (22" & 24")

2ea. iPad w/ Plug-In iPad Arm

6ea. iPad arm receptacles

HDMI, and USB Media Server Ports

Galley:

Central Water System, Essenza Nespresso coffee maker

2ea. Thermal Carafes, Micro Wave, High-Temp Oven

Misc

Second Handrail w/ Main Entryway Door

Aft Lavatory Vacuum Toilet

CTS QAR w/ Flight Data Monitoring & Additional "Crew Type" Smoke Hood

BF Goodrich Ice Detector

4ea. Goodrich Smartprobes

2ea. Teleflex Reco Light, 115 VAC/60Hz

2000VA w/10 outlets

Telescoping tow bar

Direct and Indirect LED Lighting

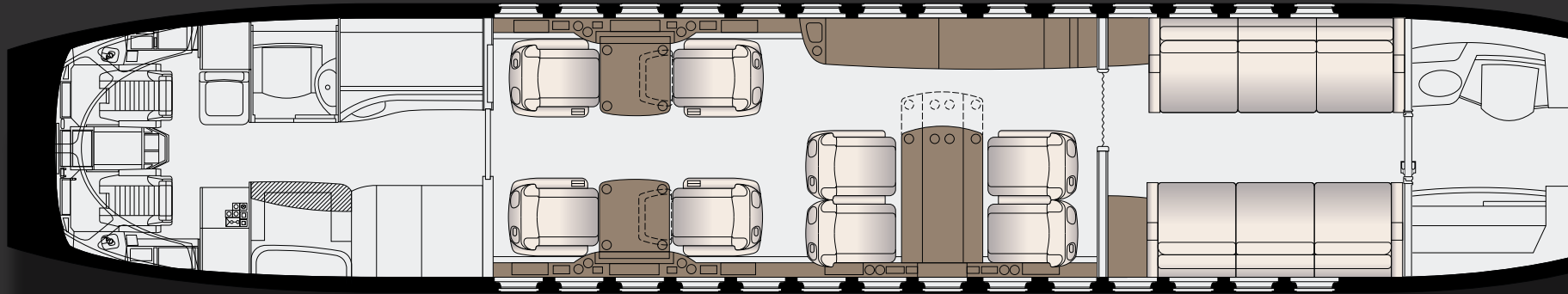
2ea. 12-man Life Rafts

Significant SB Applied:

Push To Load, 5G RA Filter.

EXTERIOR

Overall white w/ yellow, orange, red and black curved stripes on fuselage and fin.



INTERIOR

Limited Edition contemporary Harmony w/light beige leather seats, mottled brown carpet and light greige fabric divans.

Natural Satin F/C Hickory Wood Veneer. Satin Nickel metal plating.

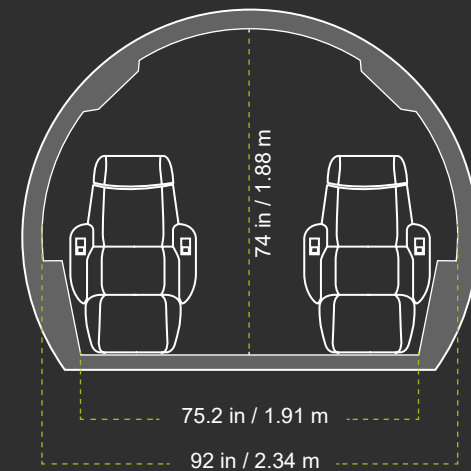
SEATING

14 Pax floor plan w/ 3rd Crew Seat,

Fwd Lavatory and Aft Vacuum Lavatory,

Galley pocket door, 2 Electrical Divans,

Aft Cabin divider w/ Stowable Curtain



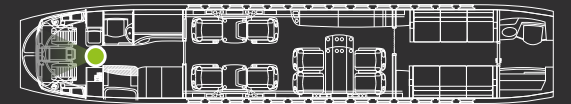
Falcon 7X

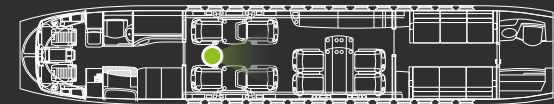
S/N 296

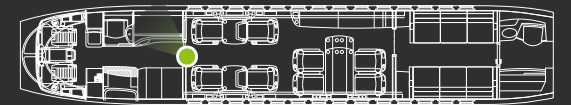
PHOTO GALLERY



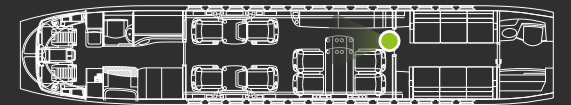


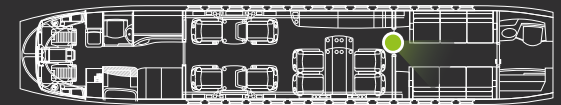


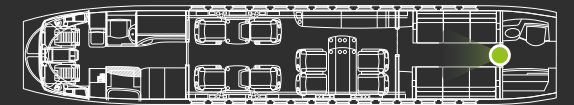


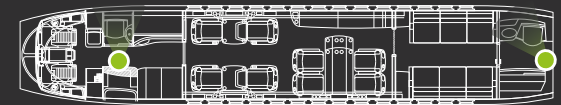












DASSAULT AVIATION**Yvon DESVIGNES**

Director, Pre-Owned Aircraft Sales

78, quai Marcel Dassault

92552 Saint-Cloud Cedex 300

France

Work Phone: + 33 1 47 11 61 24

Mobile: + 33 6 08 16 19 73

E-mail: yvon.desvignes@dassault-aviation.com

Nicolas MARTIN

Manager, Pre-Owned Aircraft Sales

78, quai Marcel Dassault

92552 Saint-Cloud Cedex 300

France

Work Phone: + 33 1 47 11 51 02

Mobile: + 33 6 26 79 50 50

Email: Nicolas.Martin@dassault-aviation.com

DASSAULT FALCON JET**Mark VERDESCO**

Director, Pre-Owned Aircraft Sales

200 Riser Road

Little Ferry, NJ 07643

USA

Work Phone: + 1 201 541 4556

Fax: + 1 201 541 4620

E-mail: Mark.Verdesco@dassaultfalconjet.com

